

SAFETY ON ALL SIDES.

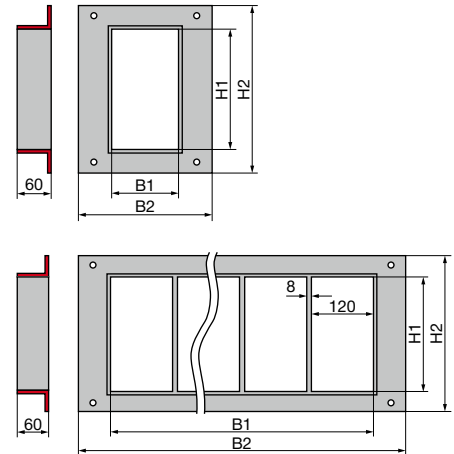
CFS-T SB and SBO transit frames



CFS-T SB



CFS-T SBO



Hilti CFS-T SB and CFS-T SBO transit frames for wall and floor penetrations in concrete, masonry and lightweight walls.

Technical information

- Made from 5 mm thick angle steel. Partitioning bars between frame windows made from 8 mm flat steel.
- CFS-T SBO transit frames (with removable top and bolts) for existing cable installations.

Material quality

- CFS-T SB: Steel S235 JR, hot-dip galvanized
- CFS-T SBO: Steel S235 JR, electrolytically galvanized

Dimensions of CFS-T SB and CFS-T SBO transit frames (single-row)

CFS-T SB/ CFS-T SBO	2 x 1									
H1 x B1 (in mm)	101x120									
H2 x B2 (in mm)	181x240									
	4 x 1	4 x 2	4 x 3	4 x 4	4 x 5	4 x 6	4 x 7	4 x 8	4 x 9	4 x 10
H1 x B1 (in mm)	160x120	160x248	160x376	160x504	160x632	160x760	160x888	160x1016	160x1144	160x1272
H2 x B2 (in mm)	240x240	240x368	240x496	240x624	240x752	240x880	240x1008	240x1136	240x1264	240x1392
	6 x 1	6 x 2	6 x 3	6 x 4	6 x 5	6 x 6	6 x 7	6 x 8	6 x 9	6 x 10
H1 x B1 (in mm)	160x120	160x248	160x376	160x504	160x632	160x760	160x888	160x1016	160x1144	160x1272
H2 x B2 (in mm)	240x240	240x368	240x496	240x624	240x752	240x880	240x1008	240x1136	240x1264	240x1392
	8 x 1	8 x 2	8 x 3	8 x 4	8 x 5	8 x 6	8 x 7	8 x 8	8 x 9	8 x 10
H1 x B1 (in mm)	277x120	277x248	277x376	277x504	277x632	277x760	277x888	277x1016	277x1144	277x1272
H2 x B2 (in mm)	357x240	357x368	357x496	357x624	357x752	357x880	357x1008	357x1136	357x1264	357x1392

Tolerances: CFS-T SB (SBO) frames are manufactured with a tolerance of -0.0/+0.3 mm for each frame window. Accordingly, with multiple frame combinations, total tolerance may be up to 3 mm (dimensions B1/B2).

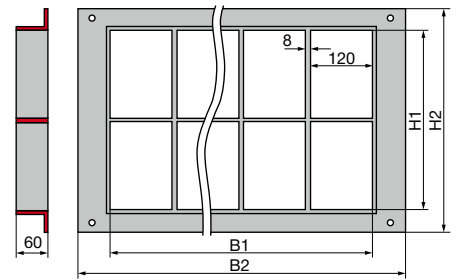
CFS-T SB and SBO transit frames



CFS-T SB



CFS-T SBO



Technical information

- Made from 5 mm thick angle steel. Partitioning bars between frame windows made from 8 mm flat steel.
- CFS-T SBO transit frames (with removable top and bolts) for existing cable installations.

Material quality

- CFS-T SB: Steel S235 JR, hot-dip galvanized
- CFS-T SBO: Steel S235 JR, electrolytically galvanized

Dimensions of CFS-T SB and CFS-T SBO transit frames (double-row)

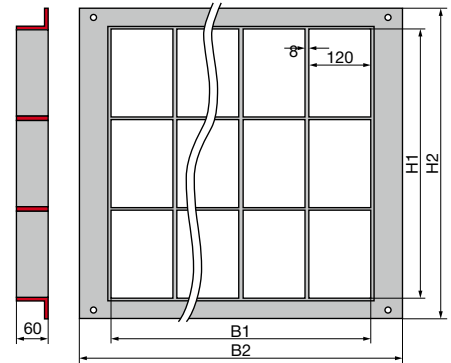
CFS-T SB/ CFS-T SBO	4+4 x 1	4+4 x 2	4+4 x 3	4+4 x 4	4+4 x 5	4+4 x 6	4+4 x 7	4+4 x 8	4+4 x 9	4+4 x 10
H1 x B1 (in mm)	328x120	328x248	328x376	328x504	328x632	328x760	328x888	328x1016	328x1144	328x1272
H2 x B2 (in mm)	408x240	408x368	408x496	408x624	408x752	408x880	408x1008	408x1136	408x1264	408x1392
	6+6 x 1	6+6 x 2	6+6 x 3	6+6 x 4	6+6 x 5	6+6 x 6	6+6 x 7	6+6 x 8	6+6 x 9	6+6 x 10
H1 x B1 (in mm)	444x120	444x248	444x376	444x504	444x632	444x760	444x888	444x1016	444x1144	444x1272
H2 x B2 (in mm)	524x240	524x368	524x496	524x624	524x752	524x880	524x1008	524x1136	524x1264	524x1392
	8+8 x 1	8+8 x 2	8+8 x 3	8+8 x 4	8+8 x 5	8+8 x 6	8+8 x 7	8+8 x 8	8+8 x 9	8+8 x 10
H1 x B1 (in mm)	562x120	562x248	562x376	562x504	562x632	562x760	562x888	562x1016	562x1144	562x1272
H2 x B2 (in mm)	642x240	642x368	642x496	642x624	642x752	642x880	642x1008	642x1136	642x1264	642x1392

Tolerances: CFS-T SB (SBO) frames are manufactured with a tolerance of $-0.0/+0.3$ mm for each frame window. Accordingly, with multiple frame combinations, total tolerance may be up to 3 mm (dimensions B1/B2).

CFS-T SB transit frames



CFS-T SB



Technical information

- Made from 5 mm thick angle steel. Partitioning bars between frame windows made from 8 mm flat steel.

Material quality

- CFS-T SB: Steel S235 JR, hot-dip galvanized
- CFS-T SBO: Steel S235 JR, electrolytically galvanized

Dimensions of CFS-T SB transit frames (triple-row)

CFS-T SB	4+4+4x1	4+4+4x2	4+4+4x3	4+4+4x4	4+4+4x5	4+4+4x6	4+4+4x7	4+4+4x8	4+4+4x9	4+4+4x10
H1 x B1 (in mm)	496x120	496x248	496x376	496x504	496x632	496x760	496x888	496x1016	496x1144	496x1272
H2 x B2 (in mm)	576x240	576x368	576x496	576x624	576x752	576x880	576x1008	576x1136	576x1264	576x1392
	6+6+6x1	6+6+6x2	6+6+6x3	6+6+6x4	6+6+6x5	6+6+6x6	6+6+6x7	6+6+6x8	6+6+6x9	6+6+6x10
H1 x B1 (in mm)	670x120	670x248	670x376	670x504	670x632	670x760	670x888	670x1016	670x1144	670x1272
H2 x B2 (in mm)	750x240	750x368	750x496	750x624	750x752	750x880	750x1008	750x1136	750x1264	750x1392
	8+8+8x1	8+8+8x2	8+8+8x3	8+8+8x4	8+8+8x5	8+8+8x6	8+8+8x7	8+8+8x8	8+8+8x9	8+8+8x10
H1 x B1 (in mm)	847x120	847x248	847x376	847x504	847x632	847x760	847x888	847x1016	847x1144	847x1272
H2 x B2 (in mm)	927x240	927x368	927x496	927x624	927x752	927x880	927x1008	927x1136	927x1264	927x1392

Tolerances: CFS-T SB frames are manufactured with a tolerance of $-0.0/+0.3$ mm for each frame window. Accordingly, with multiple frame combinations, total tolerance may be up to 3 mm (dimensions B1/B2).

CFS-T SB/container transit frames for steel panels

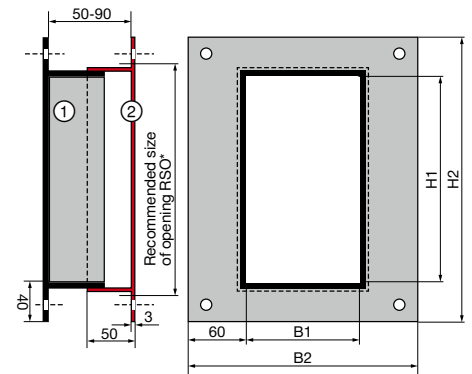
Technical information

- Made from 8 mm thick angle steel. Partitioning bars in multiple frames made from 5 mm flat steel.
- The design consists of a basic CFS-T SB frame with flattened welded seams for an even seat and the counter frame for covering the wall aperture.
- Corresponding holes allow mounting with through bolts.

- Optional: CFS-T SST 40x8x5000 self-adhesive sealing strip gasket (black foam rubber) on basic frame.
- CFS-T SB/cont. transit frames can be installed in panels (container walls) with a wall thickness of 50 to 90 mm.

Material quality

- Steel S235 JR, hot-dip galvanized.



Dimensions of CFS-T SB/cont. transit frame*

CFS-T SB/cont.	4 x 1	Recommended opening size
H1 x B1 (in mm) / H2 x B2 (in mm)	160x120 / 240x240	195x160
	6 x 1	RSO*
H1 x B1 (in mm) / H2 x B2 (in mm)	218x120 / 298x240	253x160
	8 x 1	RSO*
H1 x B1 (in mm) / H2 x B2 (in mm)	277x120 / 375x240	312x160

CFS-T SSGK transit frames for plasterboard panels

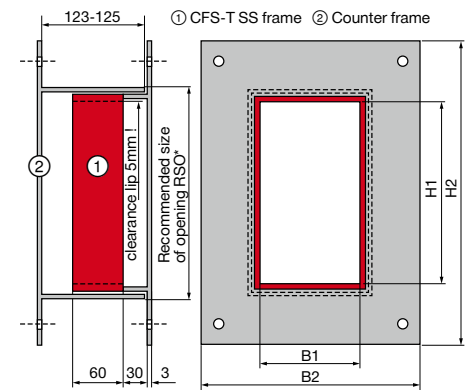
Technical information

- Made from 10 mm angle steel with 3 mm sheet steel stacking frame. Partitioning strips on multiple frames made from 10 mm flat steel.
- The design consists of a basic CFS-T SS frame, the stacking frame and the counter frame for covering the wall aperture.

- Corresponding holes allow mounting with through bolts.
- CFS-T SSGK frames are designed for use in lightweight walls with a wall thickness of 125 mm

Material quality

- Steel S235 JR, hot-dip galvanized.



Dimensions of CFS-T SSGK transit frame*

CFS-T SSGK	4 x 1	RSO**	4 x 2	RSO**	4 x 3	RSO**	4 x 4	RSO**	4 x 5	RSO**
H1 x B1 (in mm)	160x120	185x145	160x248	185x273	160x376	185x401	160x504	185x504	160x632	185x657
H2 x B2 (in mm)	300x260		300x390		300x520		300x650		300x780	
	6 x 1	RSO**	6 x 2	RSO**	6 x 3	RSO**	6 x 4	RSO**	6 x 5	RSO**
H1 x B1 (in mm)	218x120	243x145	218x248	243x273	218x376	243x401	218x504	243x504	218x632	243x657
H2 x B2 (in mm)	360x260		360x390		360x520		360x650		360x780	
	8 x 1	RSO**	8 x 2	RSO**	8 x 3	RSO**	8 x 4	RSO**	8 x 5	RSO**
H1 x B1 (in mm)	277x120	302x145	277x248	302x273	277x376	302x401	277x504	302x529	277x632	302x657
H2 x B2 (in mm)	420x260		420x390		420x520		3420x650		420x780	

* Tolerances: CFS-T SB/cont. and CFS-T SSGK are manufactured with a tolerance of $-0.0/+0.4$ mm for each frame window. Accordingly, with multiple frame combinations, tolerances may be up to 3 mm (dimension B1/B2). **RSO= Recommended opening size