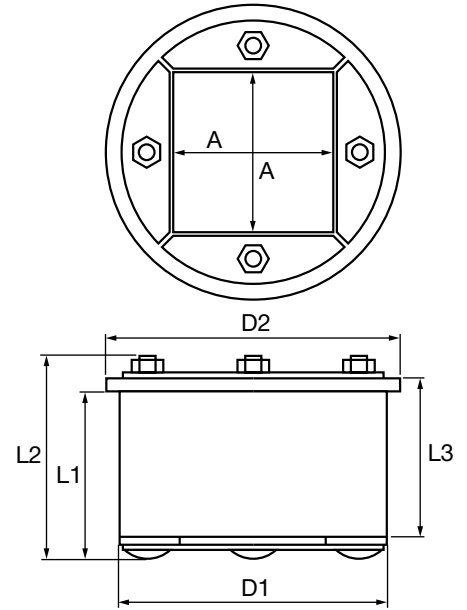


CFS-T RR - THE SOLUTION FOR ROUND CABLE TRANSITS

CFS-T RR plug seal



The CFS-T RR plug seal is an important component of the Hilti cable transit system for sealing around cables in circular openings. It forms a fire-resistant, watertight and gastight seal.

Technical information

The CFS-T RR plug seal consists of an elastic, halogen-free and highly flame-resistant synthetic rubber (HFE) insert with tensioning bolts and plates made from galvanized steel or A4 stainless steel material 1.4571 (AISI316Ti).

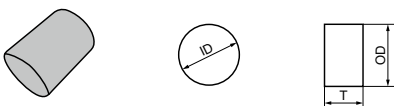
Dimensions of the CFS-T RR plug seal

Type	Space avail.		Hole dia.	Dimensions in mm				Module length	Tensioning bolts
	A	cm ²	ø mm	D 1	D 2	L 1	L 2	L 3	DIN603(DIN84)
CFS-T RR 50	30	9	50 - 51	50	57	71	85	60	4 pcs. M4x70
CFS-T RR 70	40	16	70 - 72	70	76	71	85	60	4 pcs. M5x70
CFS-T RR 100	60	36	100 - 103	100	111	71	85	60	4 pcs. M6x80
CFS-T RR 125	80	64	125 - 128	125	135	76	95	60	8 pcs. M6x90
CFS-T RR 150	90	81	150 - 154	150	160	76	95	60	8 pcs. M8x90
CFS-T RR 200	120	144	200 - 205	200	210	76	95	60	8 pcs. M8x90

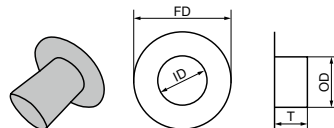


Type	Filler	Maximum cable capacity (example)
CFS-T RR 50	1 pcs. 30/0 or 4 pcs. 15/0	4 cables 3-9 mm dia. or 1 cable up to 23 mm dia.
CFS-T RR 70	4 pcs. 20/0	4 cables 3-12 mm dia. or 1 cable up to 33 mm dia.
CFS-T RR 100	4 pcs. 30/0	9 cables 5-12 mm dia. or 1 cable 34-51 mm dia.
CFS-T RR 125	16 pcs. 20/0	16 cables 5-12 mm dia. or 4 cables 13-33 mm dia. or 1 cable up to 54 mm dia
CFS-T RR 150	9 pcs. 30/0	16 cables 5-12 mm dia. or 9 cables 13-23 mm dia. or 1 cable up to 78 mm dia.
CFS-T RR 200	16 pcs. 30/0	36 cables 5-12 mm dia. or 16 cables 13-23 mm dia. or 9 cables 23-33 mm dia. or 4 cables 34-51 mm dia. or 1 cable up to 99 mm dia.

CFS-T SL sleeves



CFS-T SLF sleeves



Sleeve type	To be used for	ID	OD	FD	T
CFS-T SL 50 CFS-T SLF 50	CFS-T RR 50	50.6 mm	57.0 mm	157 mm	70 mm
CFS-T SL 70 CFS-T SLF 70	CFS-T RR 70	70.3 mm	76.1 mm	176 mm	70 mm
CFS-T SL 100 CFS-T SLF 100	CFS-T RR 100	102.2 mm	108.0 mm	208 mm	70 mm
CFS-T SL 125 CFS-T SLF 125	CFS-T RR 125	125.0 mm	133.0 mm	233 mm	70 mm
CFS-T SL 150 CFS-T SLF 150	CFS-T RR 150	150.0 mm	159.0 mm	259 mm	70 mm
CFS-T SL 200 CFS-T SLF 200	CFS-T RR 200	203.1 mm	219.1 mm	319 mm	70 mm